

**321: Alternator, B4204T11**

S60 (11-), 2015A, B4204T11, TG-81SC, L.H.D, YV140MFB0F2303627, 303627

26/9/2025

**PRINT****321: Alternator, B4204T11****Operation number:**

32102-2

**Generator****Removal**

**Note! Removal steps in this procedure may contain installation details.**

Perform battery disconnecting and connecting

Refer to: Battery disconnecting and connecting

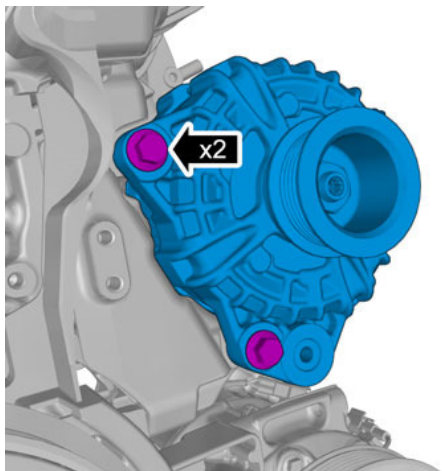
**Remove the following items:**

- the auxiliaries belt

Refer to:  
Accessory Drive Belt

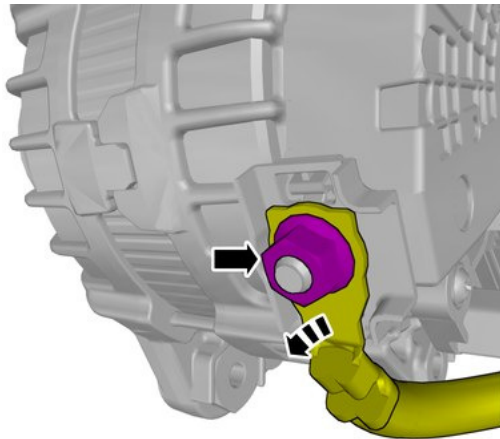
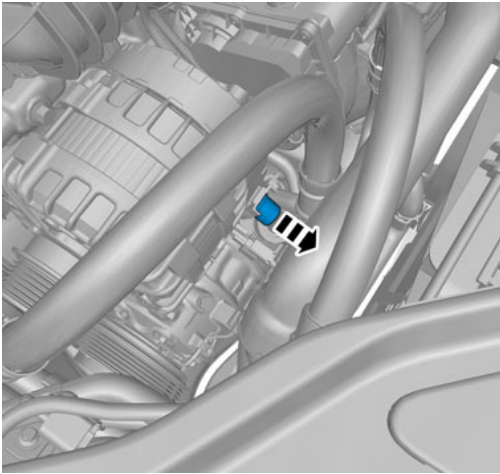
- Tensioner accessory drive belt

Refer to:  
Accessory Drive Belt Tensioner



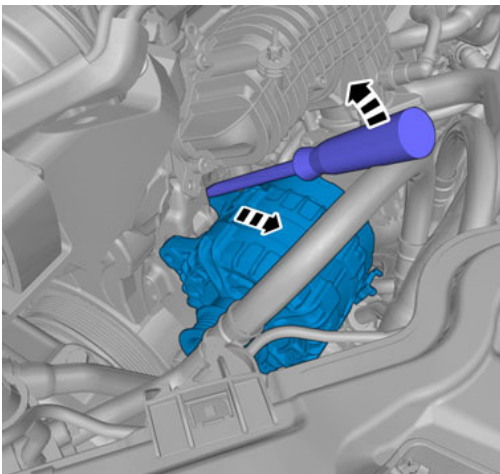
Remove the screws.

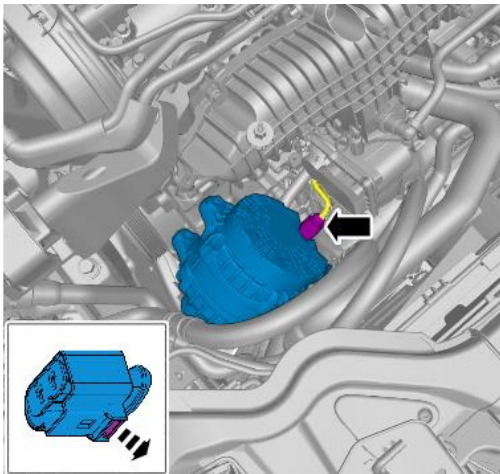
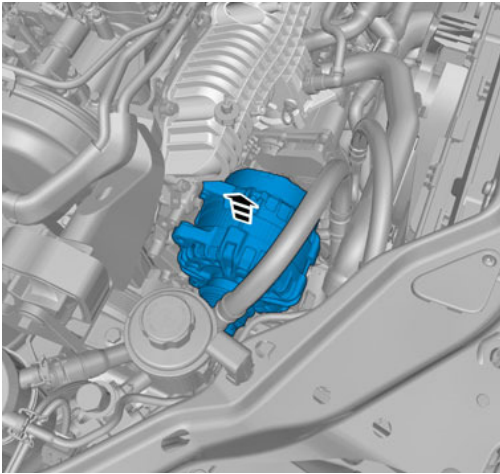
**Torque:** Generator, 48 Nm



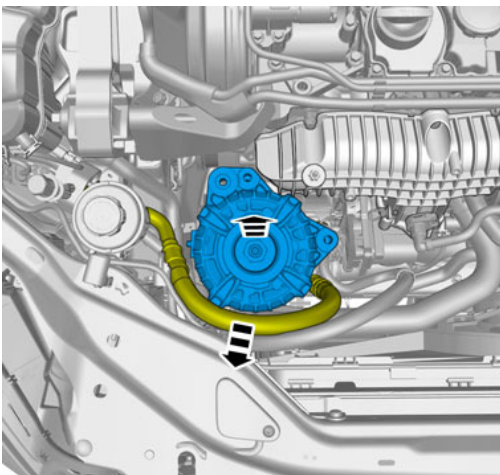
**Torque:** Generator B+ terminal, 15 Nm

Remove the nut.



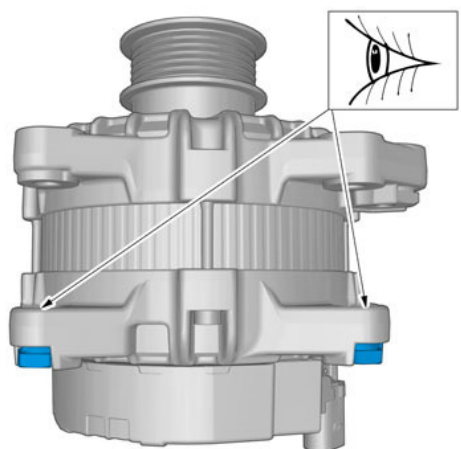
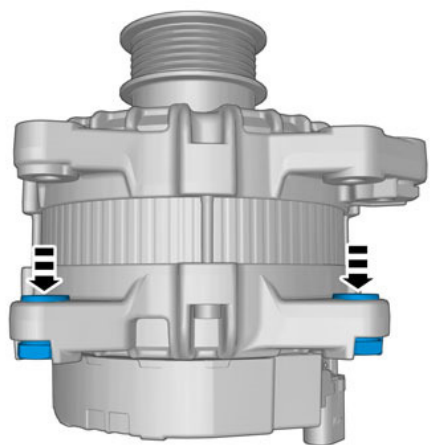


Disconnect the connector.



**Caution!** Be extra careful when removing or installing this component.

### Installation



To install, reverse the removal procedure.

**PRINT**

26/9/2025