

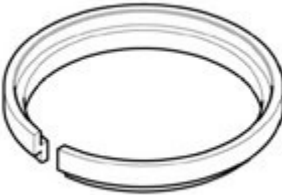



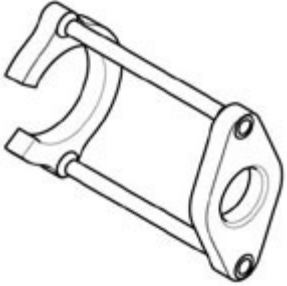

653: Movable member system

S60 (11-), 2015A, B4204T11, TG-81SC, L.H.D, YV140MFB0F2303627, 303627

26/9/2025

**PRINT****653: Movable member system****Operation number:**
65214-2**Operation number:**
65215-2**Bushing front
lateral link**

Special tools	
	999 7469 Ring Tool number: 999 7469 Tool description: Ring Tool boards: 65
	999 7467 Drift Tool number: 999 7467 Tool description: Drift Tool boards: 65
	999 7470 Ring Tool number: 999 7470 Tool description: Ring Tool boards: 65
	951 2923 Hydraulic hole cylinder Tool number: 951 2923 Tool description: Hydraulic hole cylinder Tool boards: 65
	999 7468 OK Tool number: 999 7468 Tool description: OK

	Tool boards: 65
	999 7039 Connecting rod M16X400 (P2X) Tool number: 999 7039 Tool description: Connecting rod M16X400 (P2X) Tool boards: 65

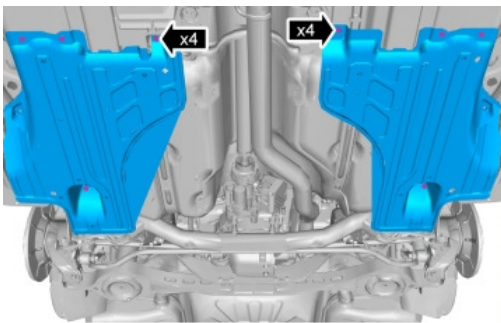
Materials	
Designation	Part number
Cleaning agent	1161721

Removal

Note! Removal steps in this procedure may contain installation details.

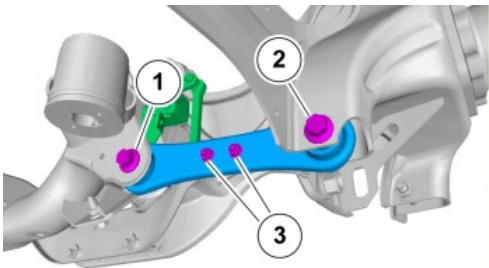
Follow instructions for lifting points body frame

Refer to: Jacking points body



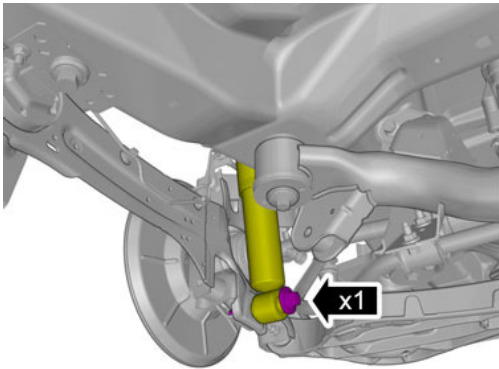
Remove the following items:

1. **Torque:** Tie rod to subframe, 130 Nm
2. **Torque:** Tie rod to longitudinal stay, 130 Nm
3. **Torque:** M6, 10 Nm



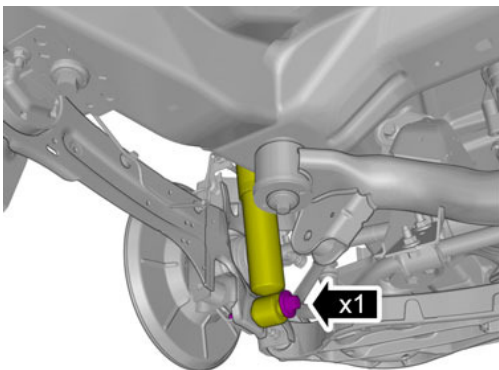
Vehicles with load-leveling shock absorbers

Torque: Rear shock absorber to wheel knuckle (Nivomat), 280 Nm

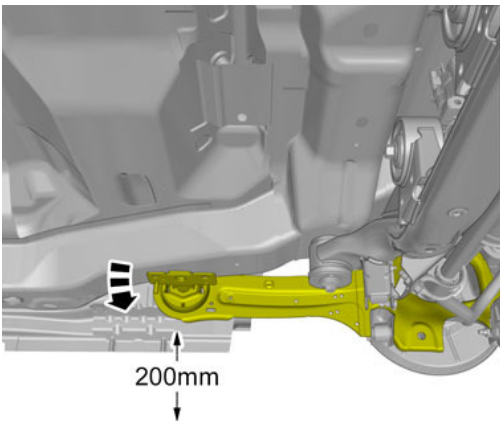
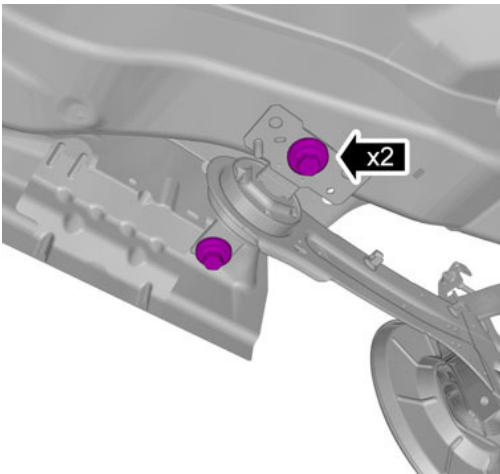
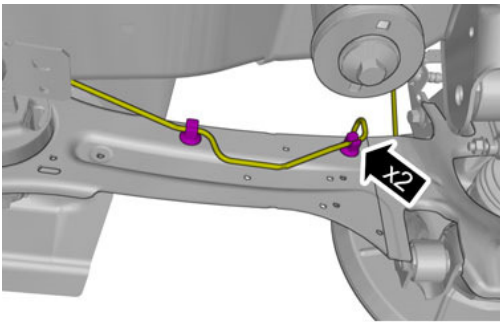
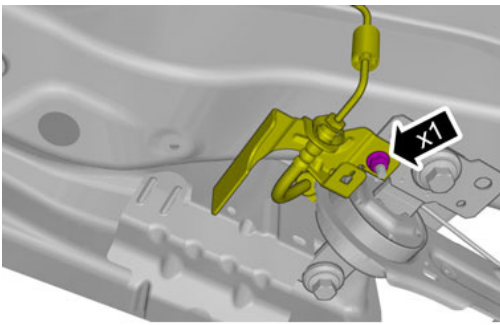


Vehicles without load-leveling shock absorbers

Torque: Rear shock absorber to wheel knuckle, 175 Nm



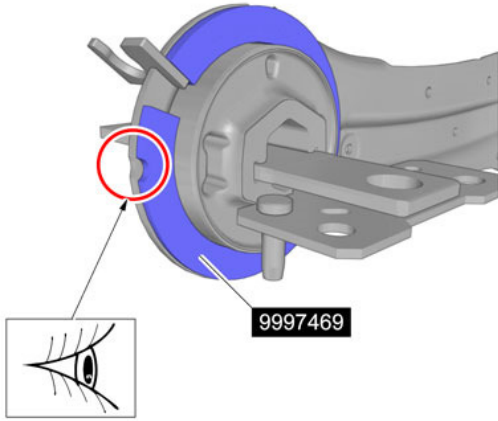
Torque: M8, 24 Nm



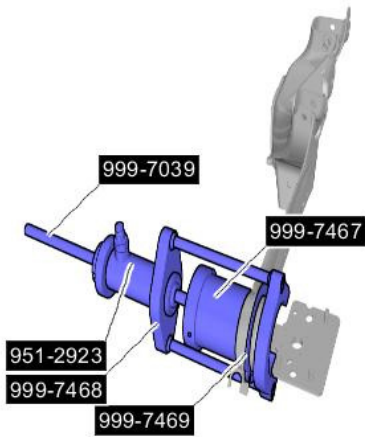
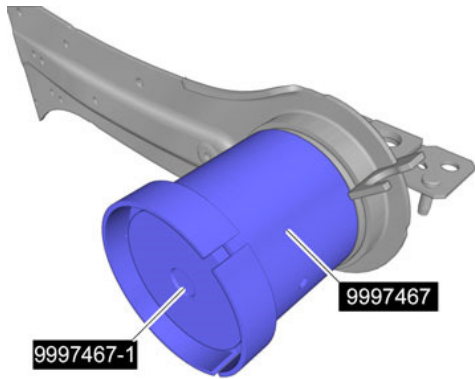
Torque: Wheel knuckle rear to body, 180 Nm

Caution! Make sure that the component is positioned correctly.

Special Tool: 999 7469

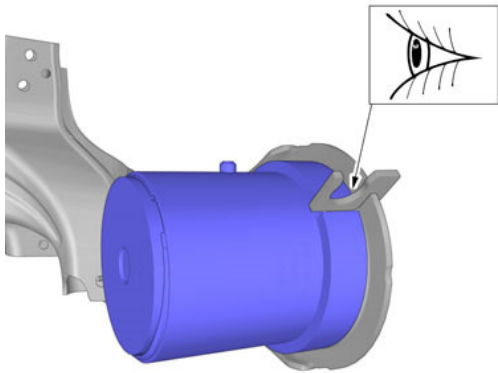
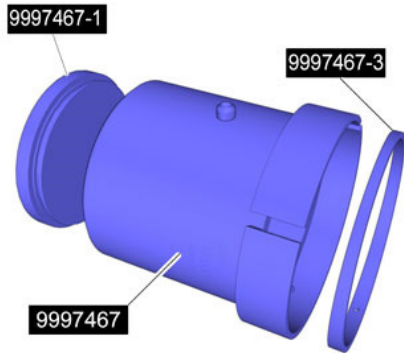


Special Tool: 999 7467



Installation

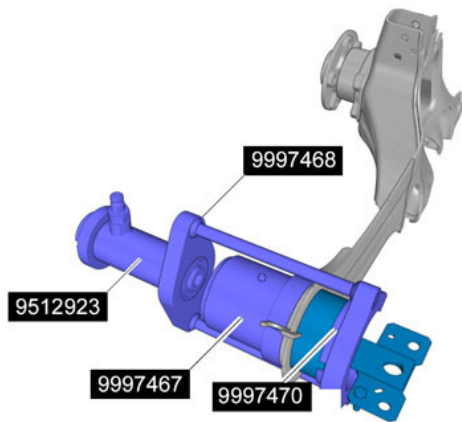
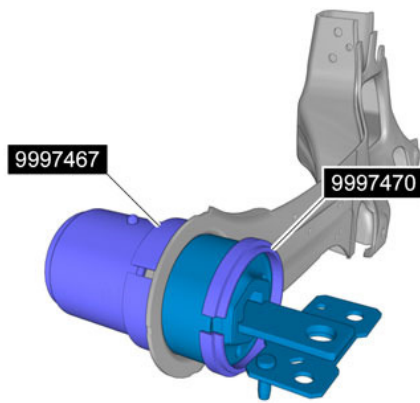
Special Tool: 999 7467



Caution! Make sure that the component is positioned correctly.

Special Tool: 999 7470

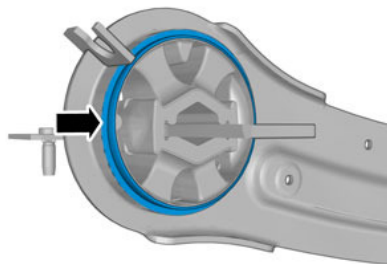
999 7467



Special Tool: 951 2923

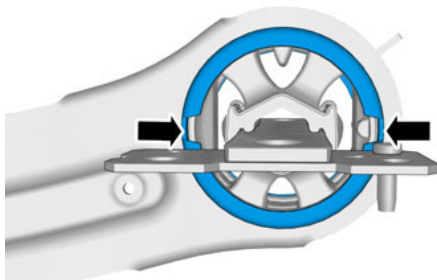
999 7468 999 7039

Use: Hydraulic press



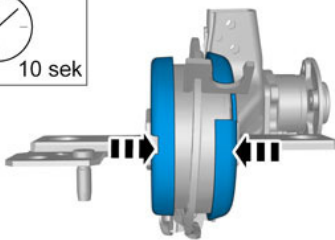
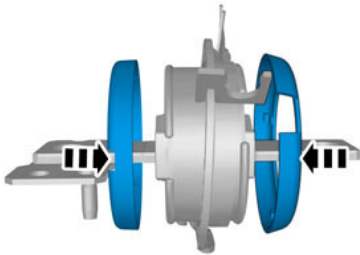
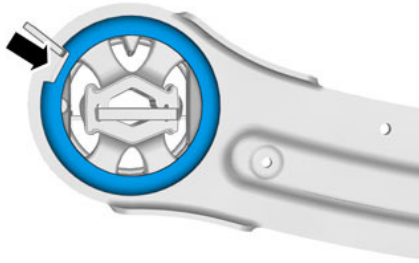
Note! Make sure that the mating faces are clean and free of foreign material.

Use: Cleaning agent, 1161721



Caution! Make sure that the component is positioned correctly.

Caution! Make sure that the component is positioned correctly.



Caution! Make sure that equal pressure is applied to the full length of the component.

To install, reverse the removal procedure.

PRINT

26/9/2025