

218: Engine mounting, B4204T11, TG-81SC, L.H.D



S60 (11-), 2015A, B4204T11, TG-81SC, L.H.D, YV140MFB0F2303627, 303627

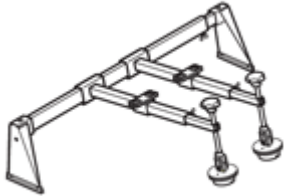


21/9/2025

PRINT

218: Engine mounting, B4204T11, TG-81SC, L.H.D

Operation number:
21815-2

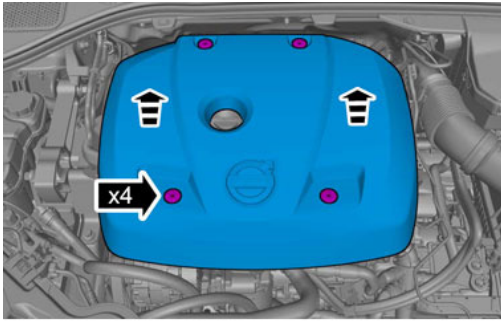
Engine Pad Left

Special tools	
	<p>999 5716 LIFTING BEAM (ENGINES) USED WITH 2 X 999 5460 Tool number:999 5716 Tool description:LIFTING BEAM (ENGINES) USED WITH 2 X 999 5460 Tool boards:21</p>
	<p>999 5460 Lifting hook Tool number:999 5460 Tool description:Lifting hook Tool boards:21</p>
 <p style="text-align: center;">VOLVO 9995185</p>	<p>999 5185 HOOK (LIFTING OUT ENGINE-TO 2810) Tool number:999 5185 Tool description:HOOK (LIFTING OUT ENGINE-TO 2810) Tool boards:21</p>

Removal

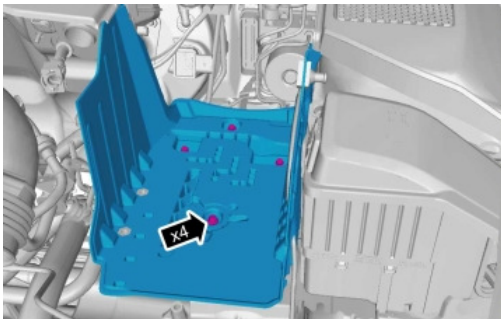
Note! Removal steps in this procedure may contain installation details.

Loosen the clips.



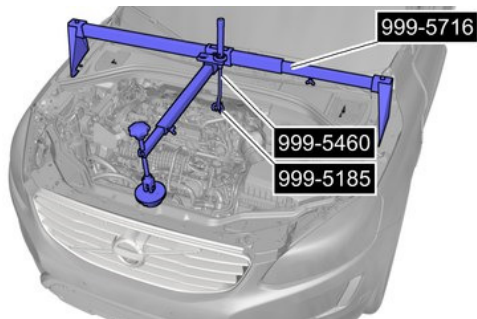
Remove the following items:

- air cleaner (ACL) housing
Refer to: Air cleaner housing
- battery
Refer to: Battery



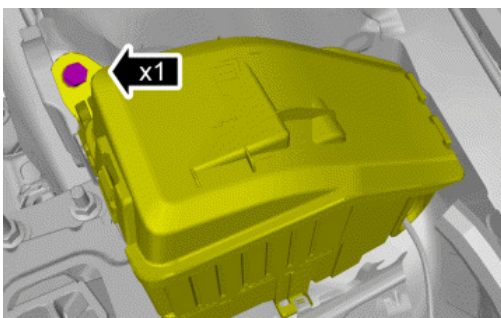
Remove the screws.

Torque: M6, 10 Nm



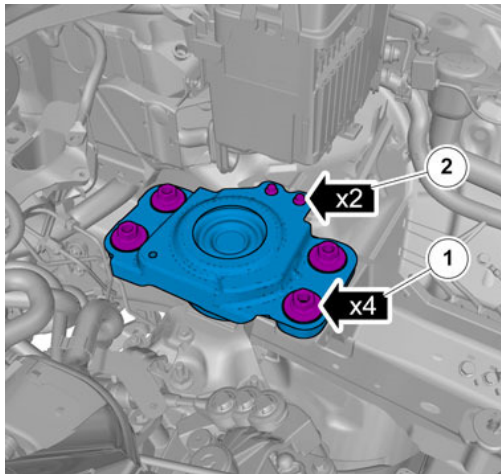
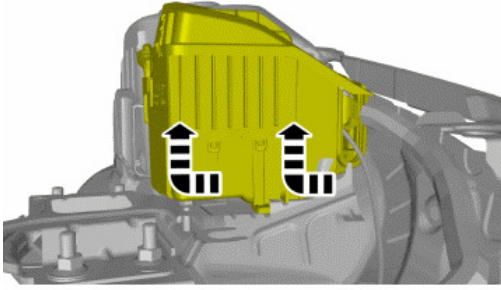
Special Tool: 999 5716

999 5460 999 5185



Remove the screws.

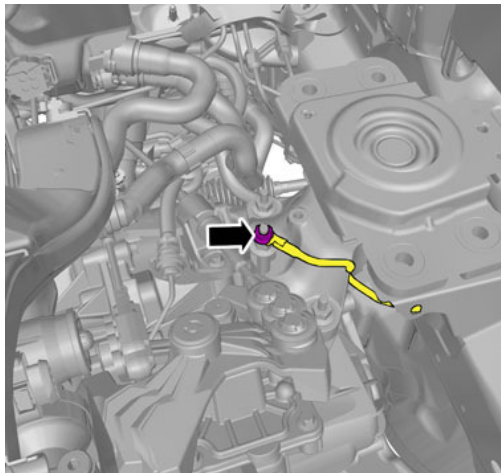
Torque: M6, 10 Nm



Remove the nuts.

Remove the nuts.

1. **Torque:** Engine pad to frame member, 90 Nm
2. **Torque:** M8, 24 Nm



Remove the cable harness clips.

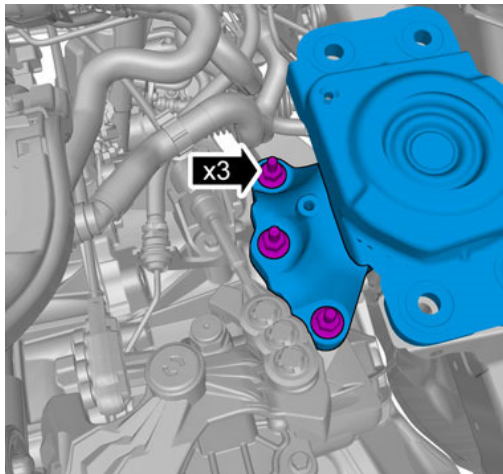
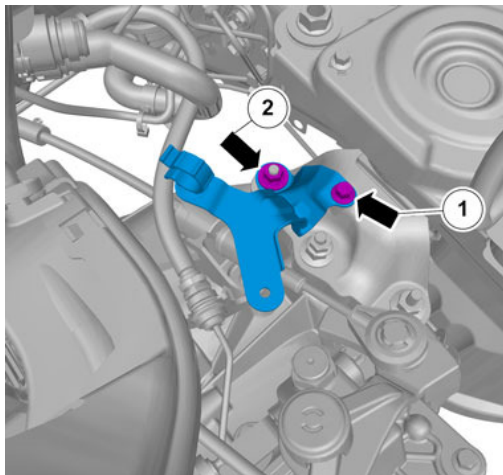
Remove the nut.

Torque: M8, 24 Nm

Remove the screw.

Remove the nut.

1. **Torque:** M8, 24 Nm
2. **Torque:** M8, 24 Nm



Remove the screws.

Torque: M12, 80 Nm

Installation

To install, reverse the removal procedure.

PRINT

21/9/2025