

218: Engine mounting, B4204T11, TG-81SC, L.H.D



S60 (11-), 2015A, B4204T11, TG-81SC, L.H.D, YV140MFB0F2303627, 303627


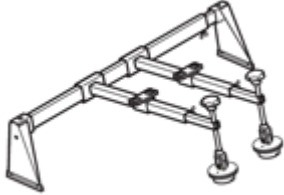

21/9/2025

PRINT

218: Engine mounting, B4204T11, TG-81SC, L.H.D

Operation number:
21813-2

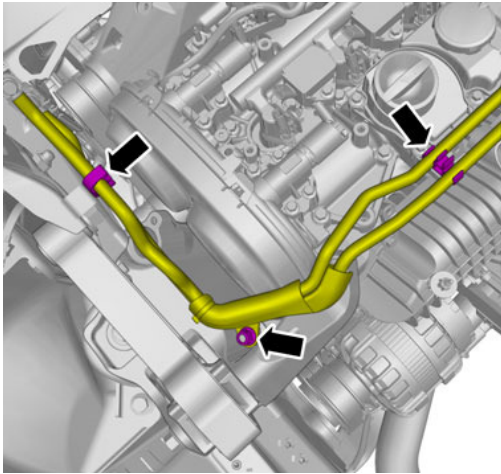
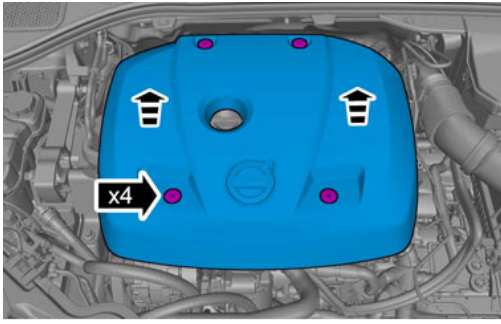
Engine Pad right

Special tools	
	<p>999 7503 Lifting eye Tool number:999 7503 Tool description:Lifting eye Tool boards:21</p>
	<p>999 5716 LIFTING BEAM (ENGINES) USED WITH 2 X 999 5460 Tool number:999 5716 Tool description:LIFTING BEAM (ENGINES) USED WITH 2 X 999 5460 Tool boards:21</p>
	<p>999 5460 Lifting hook Tool number:999 5460 Tool description:Lifting hook Tool boards:21</p>

Removal

Note! Removal steps in this procedure may contain installation details.

Loosen the clips.



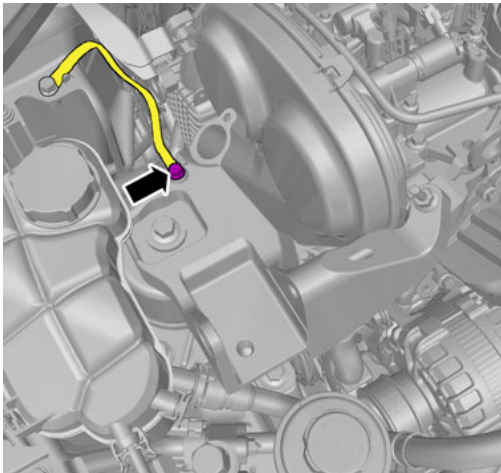
Caution! Note the routing of the lines and hoses.

Remove the nut.

Torque: M8, 24 Nm

Remove the upper torque rod

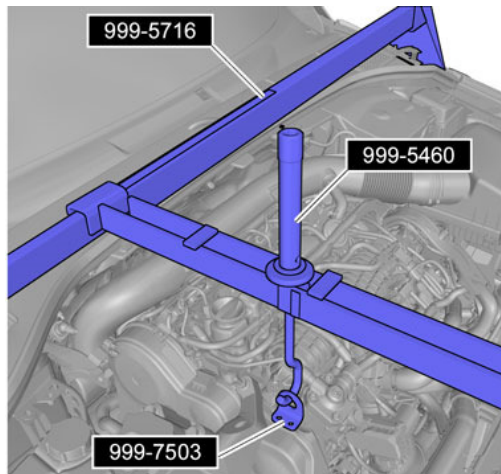
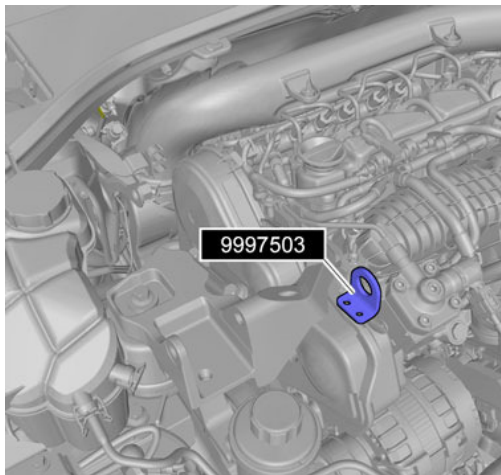
Refer to: Upper torque rod



Remove the screws.

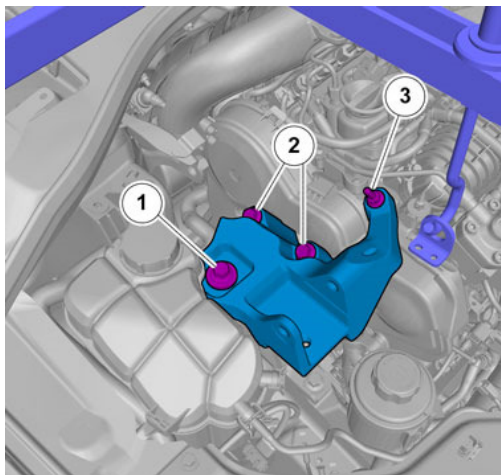
Torque: M6, 10 Nm

Special Tool: 999 7503



Special Tool: 999 5716

999 5460 999 7503

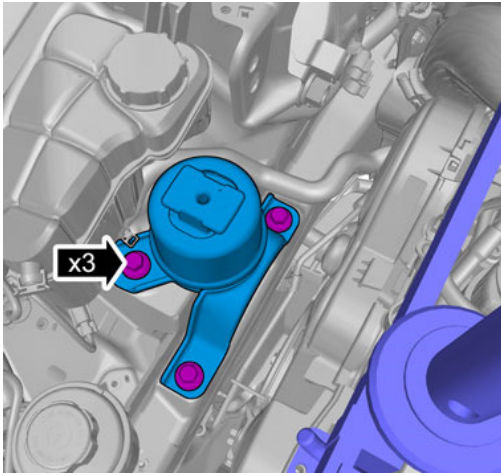


Remove the screws.

1. **Torque:** M12, 80 Nm
2. **Torque: Bracket engine mounting to cylinder head**
 - Stage 1: 90 Nm
 - Stage 2: 120 °
3. **Torque:** Bracket to cylinder head, stud bolt, 60 Nm

Remove the screws.

Torque: Right-hand engine pad to body frame, 90 Nm



21/9/2025

Installation

To install, reverse the removal procedure.

PRINT