

218: Engine mounting, B4204T11, TG-81SC, L.H.D

S60 (11-), 2015A, B4204T11, TG-81SC, L.H.D, YV140MFB0F2303627, 303627

21/9/2025



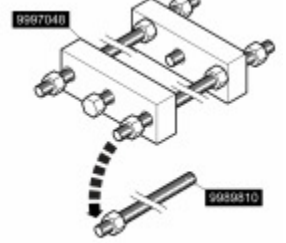



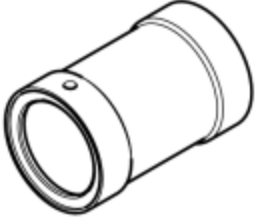
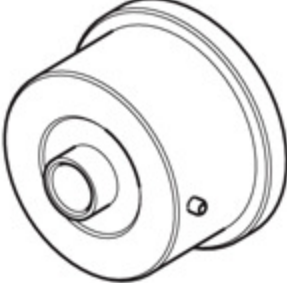


PRINT

218: Engine mounting, B4204T11, TG-81SC, L.H.D

Operation number:
21824-2

**Front bushing
subframe front**

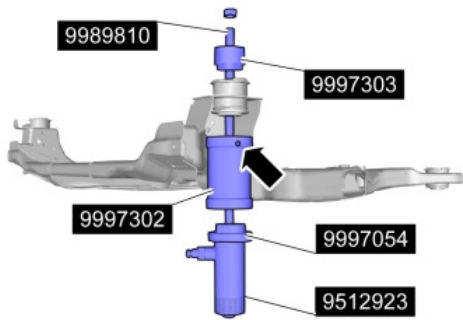
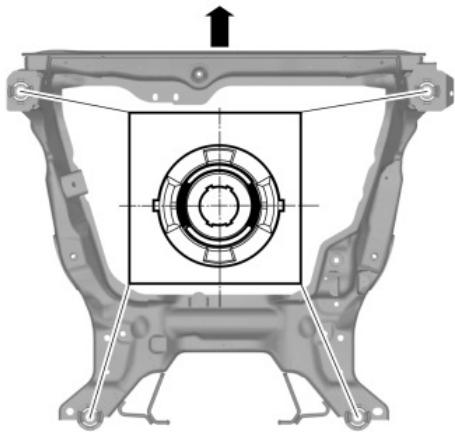
Special tools	
 <p>951 2923</p>	<p>951 2923 Hydraulic hole cylinder Tool number:951 2923 Tool description:Hydraulic hole cylinder Tool boards:65</p>
 <p>999 7054</p>	<p>999 7054 Adapter incl. 2x MC6C M6X12 (800 AWD, P2X) Tool number:999 7054 Tool description:Adapter incl. 2x MC6C M6X12 (800 AWD, P2X) Tool boards:65</p>
 <p>998 9810</p>	<p>998 9810 Puller rod (part of 9997048) Tool number:998 9810 Tool description:Puller rod (part of 9997048) Tool boards:61</p>
	<p>999 7303 Drift Tool number:999 7303 Tool description:Drift Tool boards:61</p>
	<p>999 7302 Socket Tool number:999 7302 Tool description:Socket Tool boards:61</p>

	
	<p>999 7385 Drift Tool number:999 7385 Tool description:Drift Tool boards:61</p>
	<p>999 7304 Cone Tool number:999 7304 Tool description:Cone Tool boards:61</p>
	<p>999 7306 Counterhold Tool number:999 7306 Tool description:Counterhold Tool boards:61</p>

Removal

Remove front subframe,
service position

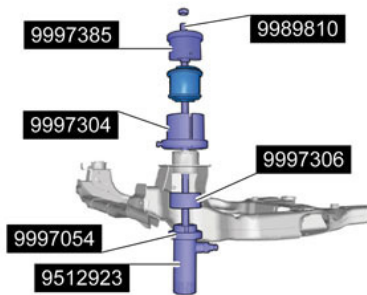
Refer to: Front
subframe, service
position



Special Tool: 951 2923

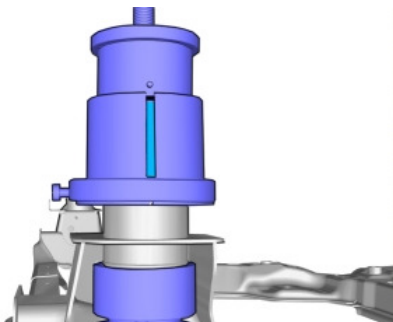
999 7054 998 9810 999 7303 999 7302

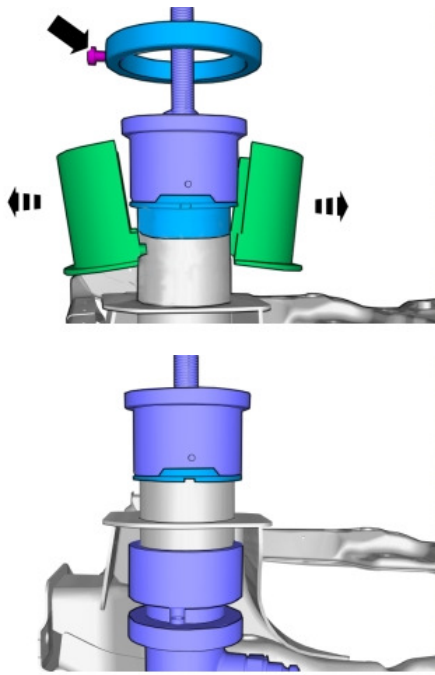
Installation



Special Tool: 951 2923

999 7054 998 9810 999 7385 999 7304 999 7306





To install, reverse the removal procedure.

PRINT

21/9/2025