

233: Fuel pump and strainer, B4204T11, TG-81SC

S60 (11-), 2015A, B4204T11, TG-81SC, L.H.D, YV140MFB0F2303627, 303627

26/9/2025



PRINT

233: Fuel pump and strainer, B4204T11, TG-81SC

Operation number:
17433-3

Operation number:
23307-2

Extra fuel filter Removal

Note! Removal steps in this procedure may contain installation details.

Follow instructions about safety information gasoline-fuel system

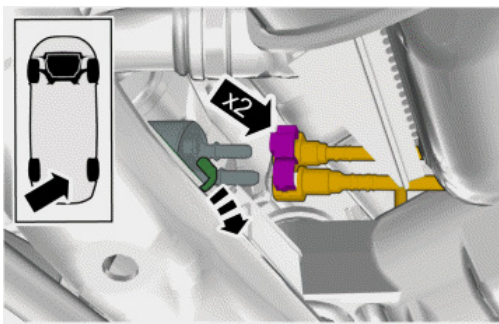
Refer to: Safety information gasoline - fuel system

Perform depressurizing fuel system

Refer to: Fuel system pressure release

Follow instructions for lifting points body frame

Refer to: Jacking points body



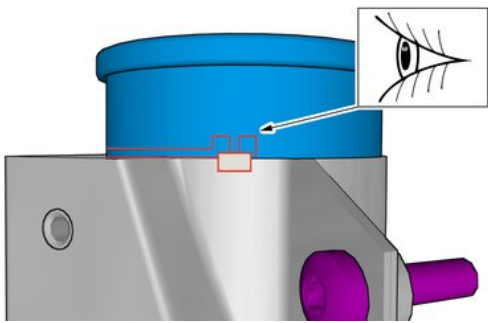
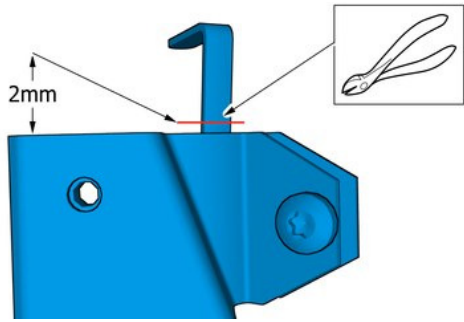
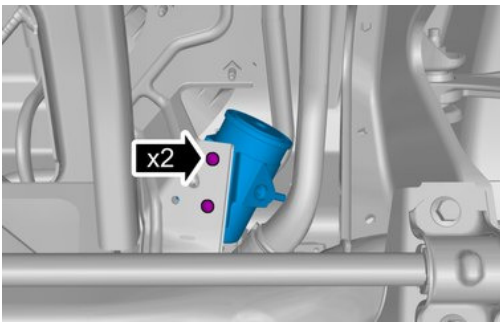
Warning! Be prepared to collect escaping fluid.

Caution! Note the routing of the lines and hoses.

Undo the hoses from the connections.

Torque: M6, 10 Nm

Remove the screws.



Installation

To install, reverse the removal procedure.

Note! Note the position.

Torque: M6, 10 Nm

Caution! Make sure that the quick release couplings are correctly engaged.

PRINT

26/9/2025