


S60 (11-), 2015A, B4204T11, TG-81SC, L.H.D, YV140MFB0F2303627, 303627



21/9/2025

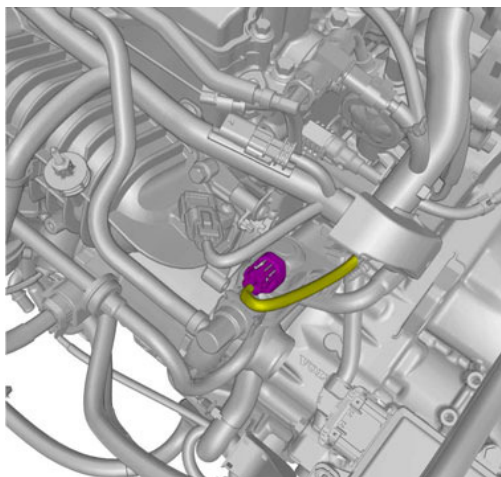
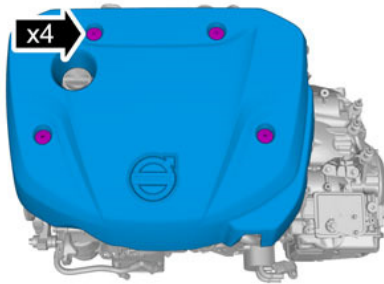
PRINT

Induction pipe

Special tools	
	<p>951 2943 L-hook Tool number:951 2943 Tool description:L-hook Tool boards:80</p>

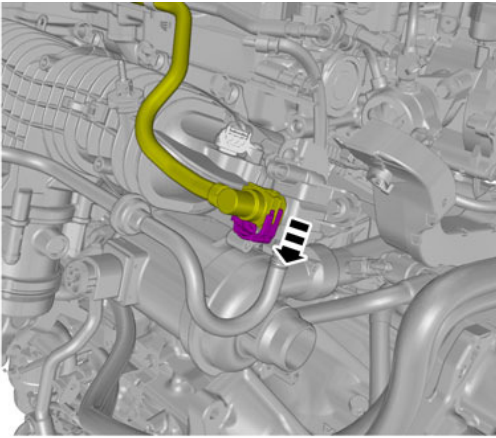
Removal

Note! Removal steps in this procedure may contain installation details.

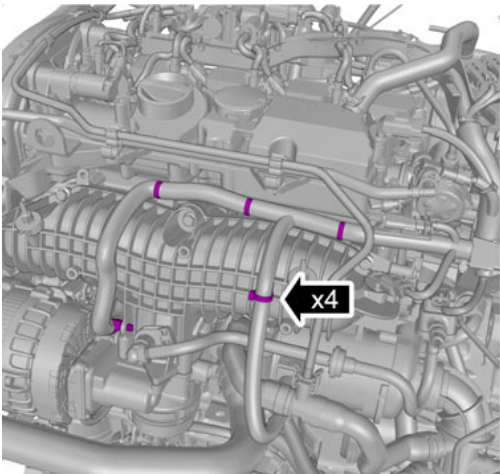


Disconnect the connector.

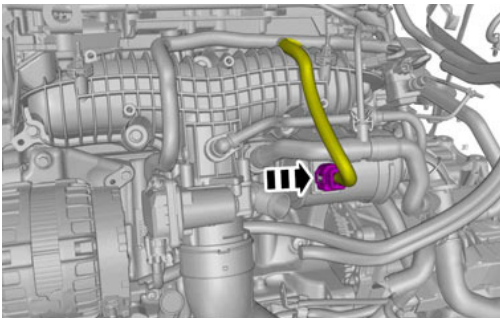
Remove the clip.



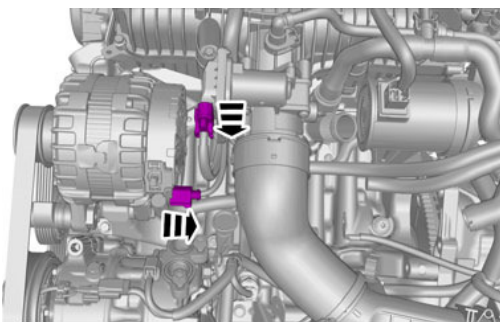
Remove the clips.



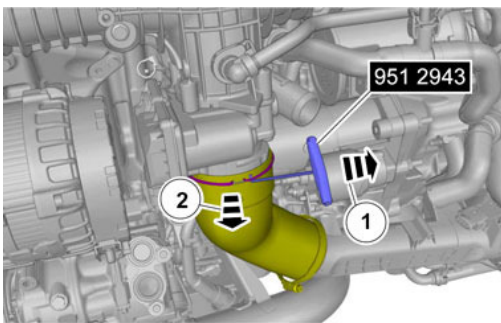
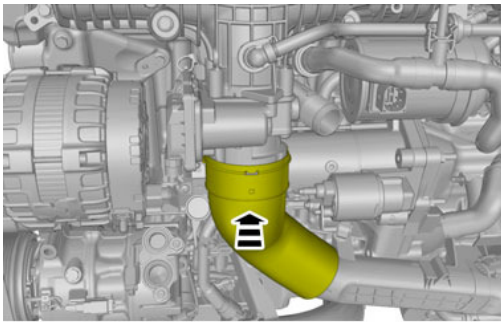
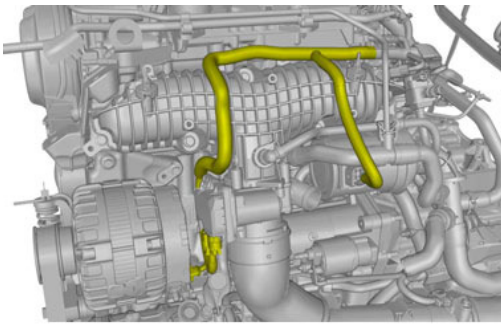
Disconnect the connector.



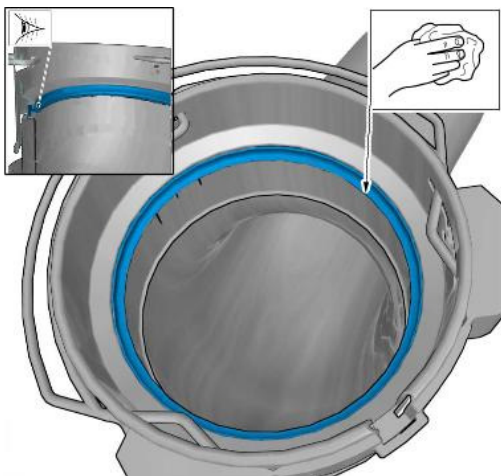
Disconnect the connectors.



Caution! Note the routing of the lines and hoses.



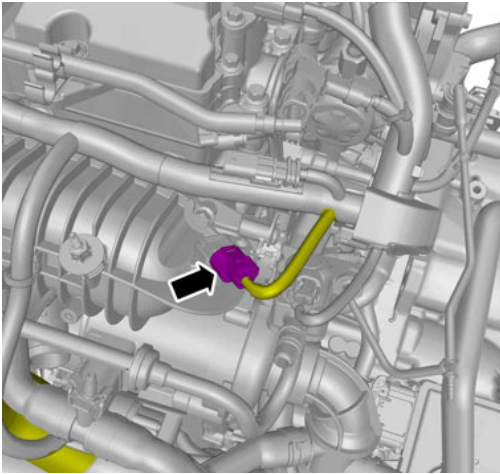
Special Tool: 951 2943



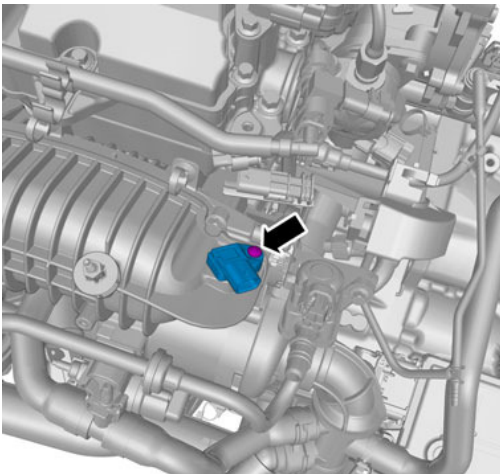
Note! Make sure that the seal is correctly located.

Note! Make sure that the mating faces are clean and free of foreign material.

Disconnect the connector.

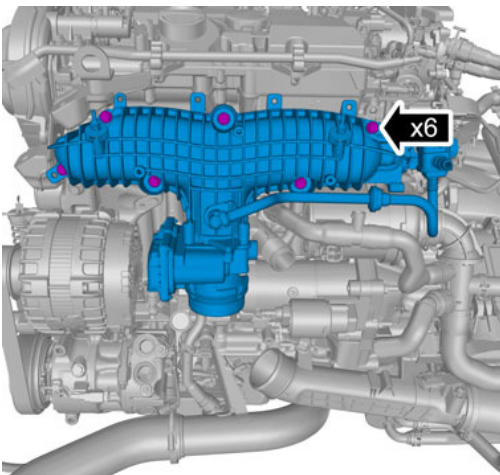


Remove the screw.



Remove the screws.

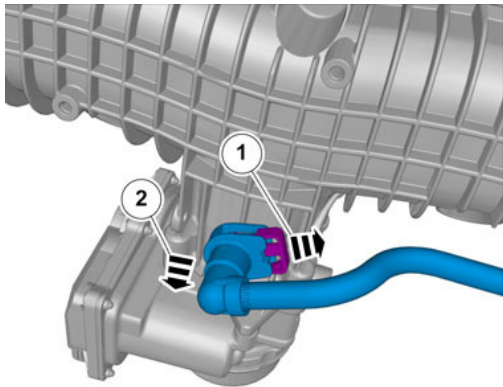
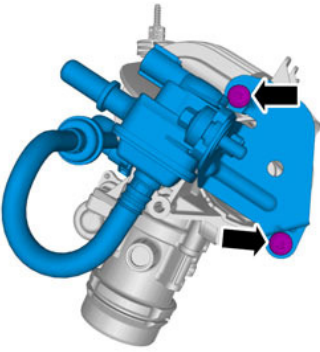
Torque: M7, 17 Nm



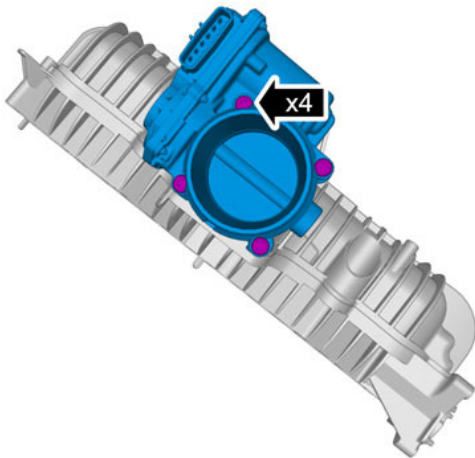
**Transferring
components**

Remove the screws.

Torque: M5, 5 Nm



Remove the clip.



Remove the screws.

Torque: M5, 5 Nm

Installation

To install, reverse the removal procedure.

PRINT

21/9/2025