

218: Engine mounting, B4204T11, TG-81SC, L.H.D

S60 (11-), 2015A, B4204T11, TG-81SC, L.H.D, YV140MFB0F2303627, 303627

21/9/2025




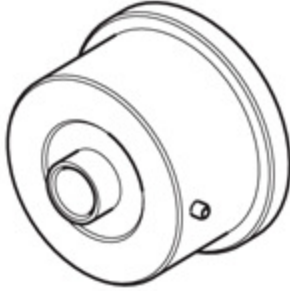


PRINT

218: Engine mounting, B4204T11, TG-81SC, L.H.D

Operation number:
21824-2

**Rear bushing
subframe front**

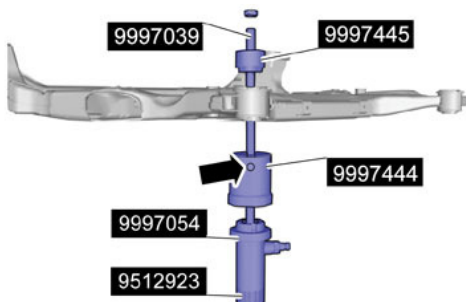
Special tools	
	<p>999 7039 Connecting rod M16X400 (P2X) Tool number:999 7039 Tool description:Connecting rod M16X400 (P2X) Tool boards:65</p>
	<p>999 7445 Drift Tool number:999 7445 Tool description:Drift Tool boards:61</p>
	<p>999 7444 Socket Tool number:999 7444 Tool description:Socket Tool boards:61</p>
<p>VOLVO 9997054</p>	<p>999 7054 Adapter incl. 2x MC6C M6X12 (800 AWD, P2X) Tool number:999 7054 Tool description:Adapter incl. 2x MC6C M6X12 (800 AWD, P2X) Tool boards:65</p>
	<p>951 2923 Hydraulic hole cylinder Tool number:951 2923 Tool description:Hydraulic hole cylinder</p>

 <p>VOLVO 9512923</p>	<p>Tool boards:65</p>
	<p>999 7385 Drift Tool number:999 7385 Tool description:Drift Tool boards:61</p>
	<p>999 7304 Cone Tool number:999 7304 Tool description:Cone Tool boards:61</p>
	<p>999 7306 Counterhold Tool number:999 7306 Tool description:Counterhold Tool boards:61</p>

Removal

Remove front subframe, service position

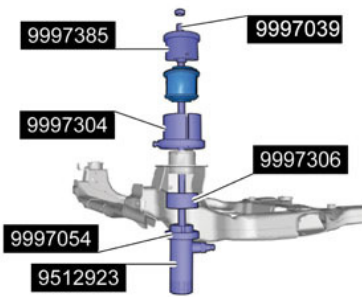
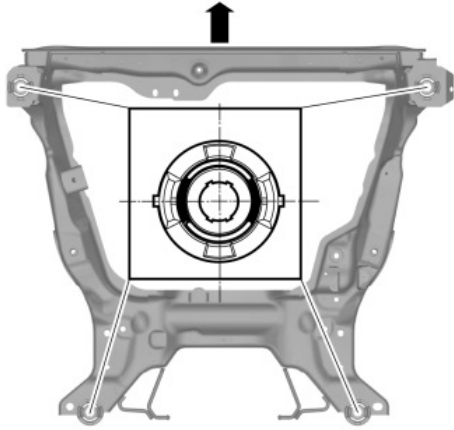
Refer to: Front subframe, service position



Special Tool: 999 7039

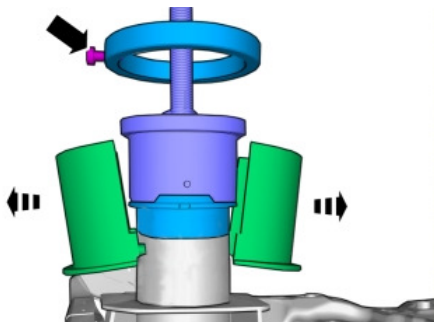
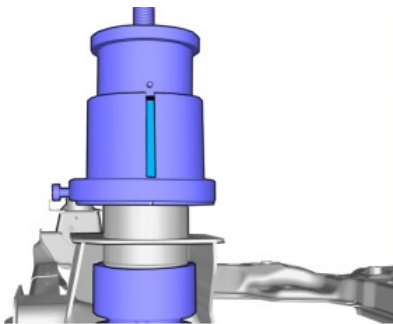
999 7445 999 7444 999 7054 951 2923

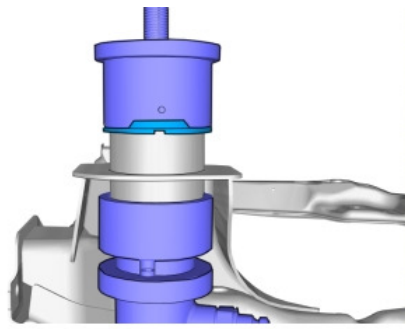
Installation



Special Tool: 999 7385

999 7039 999 7304 999 7306 999
7054 951 2923





To install, reverse the removal procedure.

PRINT

21/9/2025